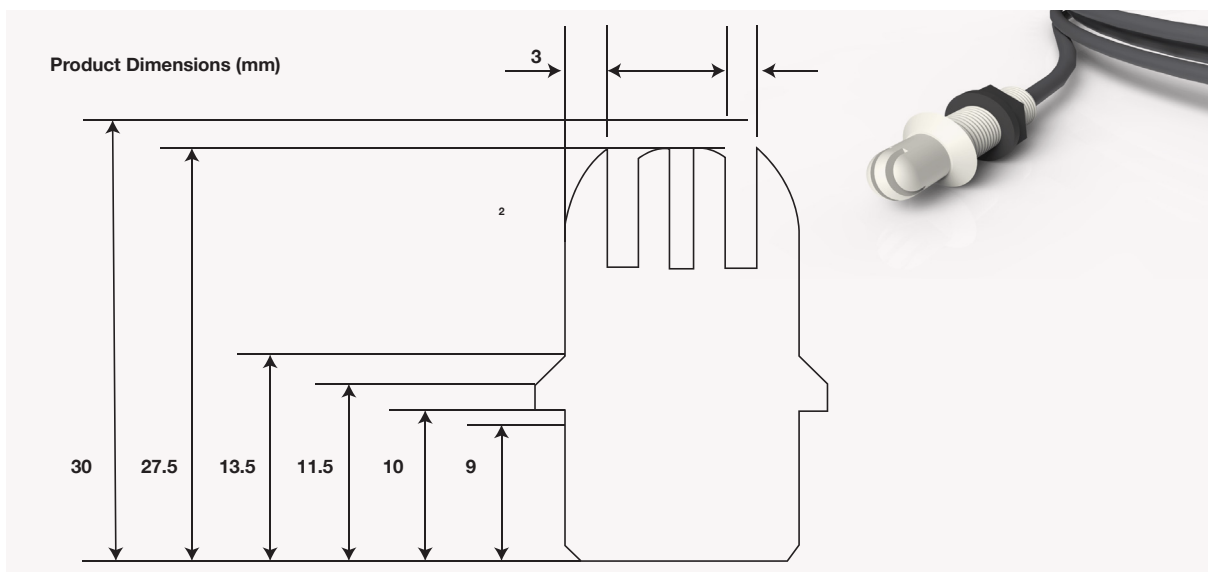

Product

Thimble Sensor



Specifications

Our Thimble sensor is designed to interface with a wide variety of HVAC control equipment. It is housed in a white plastic thimble shaped enclosure but brass, aluminium or stainless-steel versions are also available. The sensor is designed to be mounted on a back-mounting plate or simply drill a hole suitable for the correct sized thread, pass the cable through the hole, secure with the fixing nut provided and then terminate the cable as required. We recommend that sensors are installed by a qualified technician in conjunction with any guidelines for the equipment it is being connected to. As a general rule, screened cable should be used to connect the sensor to the controller. The cable length is 3m.



Contact

thermotec
Southpoint, Compass Park,
Bodiam, Robertsbridge
TN32 5BS

thermotecuk.com

