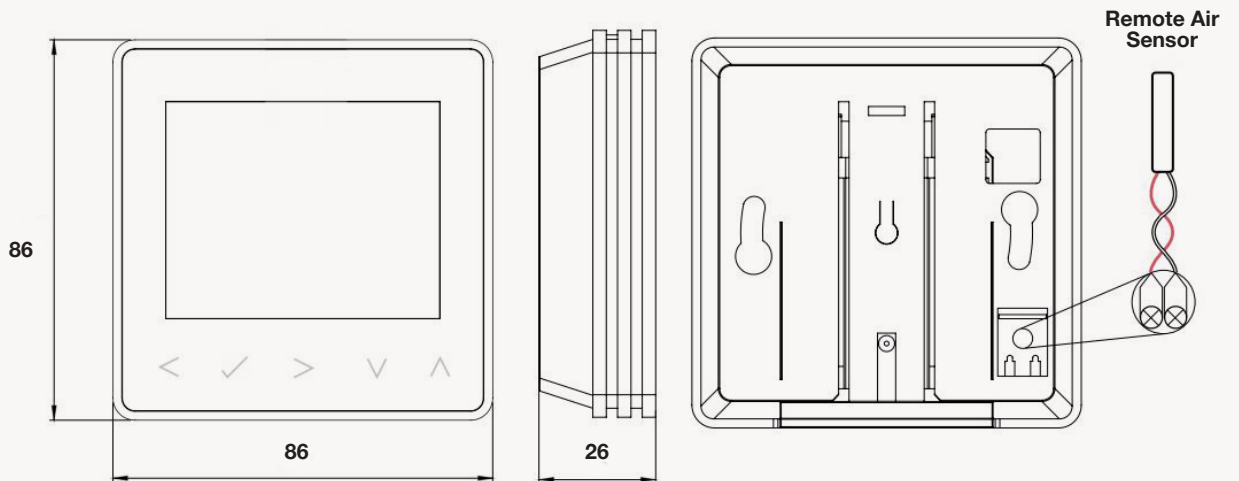


Product

NeoAir
Thermostat



Product Dimensions (mm) & Wiring Specification



Specifications

The NeoAir programmable wireless thermostat offers a smarter way to control your heating and hot water from anywhere! It is a battery powered wireless thermostat and is compatible with our RF Switch / UH8-RF Wireless Receivers.

In addition, neoStat and neoAir communicate wirelessly to the neoHub to offer a reliable and scalable network system that you can control from your Smartphone. The mains powered neoStat automatically repeats the data signal from other neoStat/neoAir in the home. If there are no neoStat's installed, the neoAir communicates directly with the neoHub and so the neoPlug or Boost can be used to extend the communication distance.

The neoAir can be configured to work as a thermostat, a timer or heating & timer combined, perfect for controlling heating & hot water.

RF-Switch Compatible	Yes	Frost Protection (7°-17°C)	Yes
UH8-RF Compatible	Yes	Mesh Networking Facility	No
Temperature Range	5-35°, 41-95°F	°C / °F Option	Yes
White Back Lit Scree	Yes	Built in Air Sensor	Yes
Non-Programmable Mode	Yes	Remote Air Sensing Mode	Yes
5/2 Day Promgramming Mode	Yes	Floor Sensing Mode	Yes
7 Day Programming Mode	Yes	Remote Probe Included	No
24 Hour Mode	Yes	Floor Temp Limit Protection	Yes
Number of Heating Levels	4	Wireless Fail Safe Function	Yes
Optimum Start	Yes	RF Frequency	868MHz
Number of Switching Time (Timer Mode)	4	Accuracy +/-	1°C
Holiday Function	Yes	Adjustable Switching Differential	0.5°C to 3°C
Temperature Override	Yes	Supply	4xAAA
Temperature Override Limit	Yes	Installed Dimensions	86x86x26mm (L,H,D)
Output Delay	Yes	Weight	136g

Contact

thermotec

Southpoint, Compass Park,
Bodiam, Robertsbridge
TN32 5BS

thermotecuk.com

