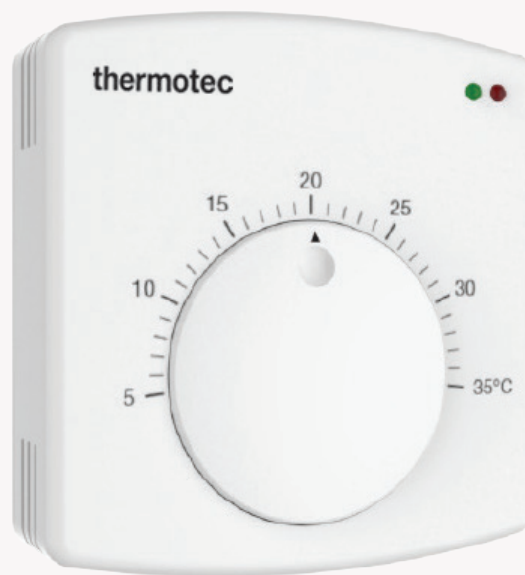
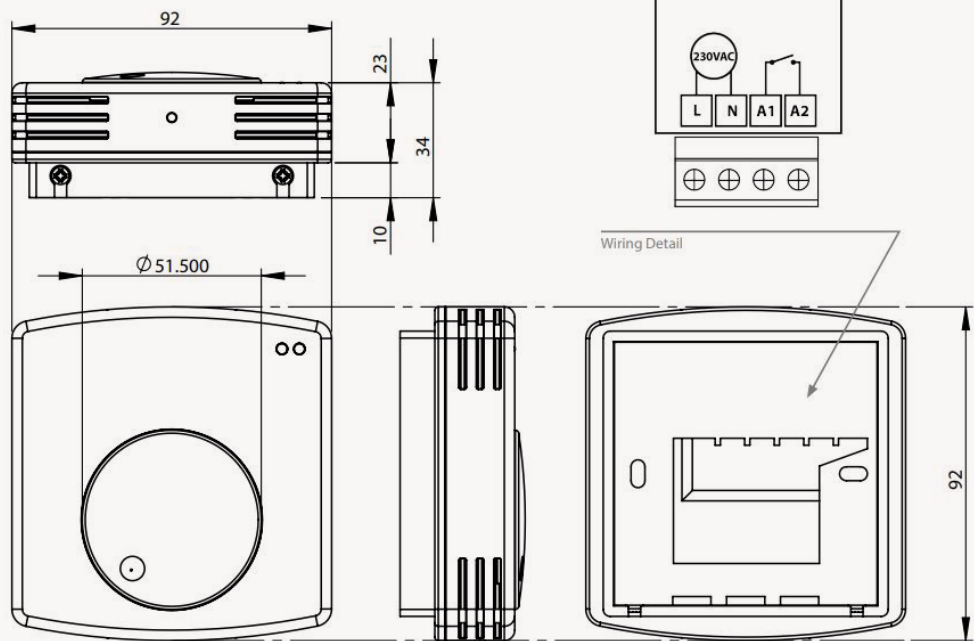


Product

DS1
Thermostat



Product Dimensions



Specifications

The DS1 is the 230v central heating room thermostat, ideal for conventional or combi-boilersystems.

This thermostat is used in conjunction with a separate programmer.

Temperature Range	05-35°C
Mounting Type	Surface
Set Back Function	No
Digital Display	No
Time Clock Override Switch	No
Dial Lock	No
Built in Sensor	Yes
Remote Air Sensing Mode	No
Floor Sensing Mode	No
Remote probe Included	No
Built In Air & Floor	No
Adjustable Switching Differential	Yes
Accuracy	+/-1.5°C
Supply	230VAC
Rating	3A
Installed Dimensions (L,H,D)	92,92,34mm
Weight	150g

Contact

thermotec

Southpoint, Compass Park,
Bodiam, Robertsbridge
TN32 5BS

thermotecuk.com

