

TP  
343

**Project**

**Nile Street**  
Hackney  
London



thermotec



**Contractors / Partners**

**MCLAREN**

# TP343

## Project

**Nile Street**  
Hackney  
London



### Project Brief

Working with McLaren, Thermotec were asked to provide a complete design and installation scheme, in compliance with the latest environmental and technological heating systems.

### Scope of Works

Thermotec delivered a fully integrated floor build up system from the sub-floor base to the final dry screedboard using our TPA13 routed and foiled insulation panel underfloor heating system to all 175 apartments with latest touchscreen thermostats. The project was managed, installed and supervised by Thermotec, and was delivered on time and within budget.

**Project Value:** £21.8M



### Project Details

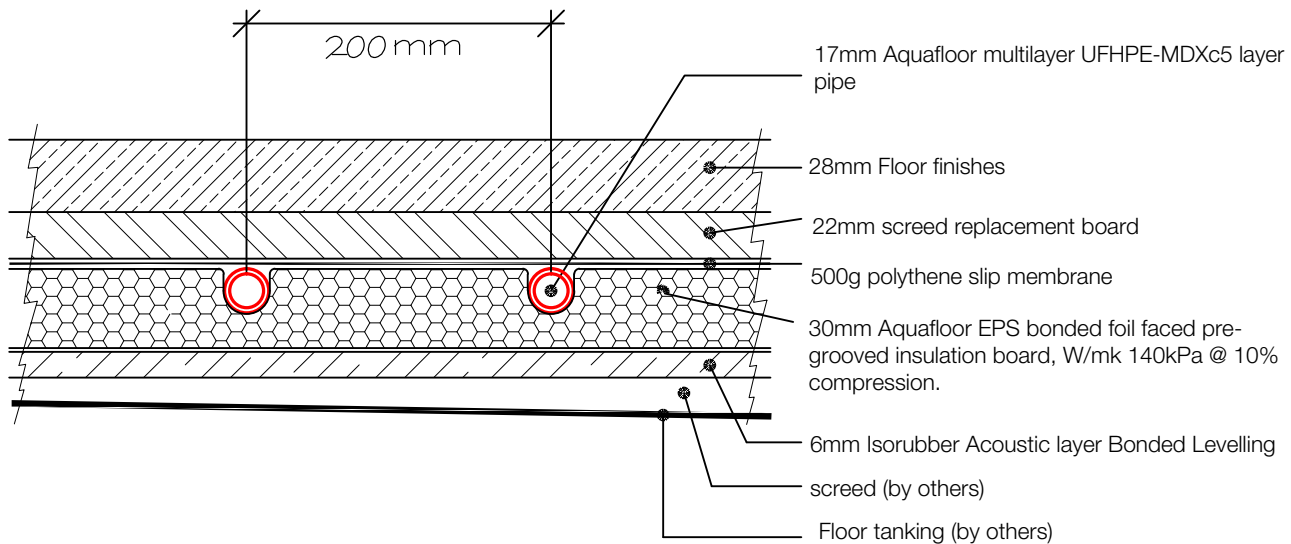
The Nile Street development constructed by the Major Project division of McLaren Construction Ltd, consists of a two storey Pupil Referral Unit school, a 7-storey residential block fronting Nile Street and a 29-storey residential tower all over a single storey shared basement. The project is part of Hackney Council's wider schools building programme, to ensure there are enough school places for local children.

13,037 m<sup>2</sup>





thermotec



**Unsurpassed in logistics and project planning. Assured quality installations for the mechanical and electric sector.**

[thermotecuk.com](http://thermotecuk.com)